



Legacy 36

Dual Fuel Range

Service Instructions

This book contains many important safety messages.
Always read and obey all safety messages.

F104650-01

www.aga-ranges.com

Contents

Servicing Notes	4
1. To Remove the Hand Rail	4
2. To Remove Control Panel	4
3. To Remove the Cooktop	4
4. To Remove a Side Panel	4
5. To Remove Oven Light Switch	5
6. To Remove Electronic Timer	5
7. To Remove a Thermostat	5
8. To Change Broiler Controller	5
9. To Change a Cooktop Tap	5
10. To Change a Cooktop burner orifice	5
11. To Change Cooktop Burner Electrode	5
12. To Remove or Change a Cooktop Burner.	6
13. To Remove Broiler Outer Door Panel	6
14. To Remove Main Oven Door	6
15. To Change Main Oven Door Outer Panel	7
16. To Change Main Oven Door Catch	7
17. To Change Oven Door Seal	7
18. To Adjust Oven Door Catch Keep	7
19. To Change Ignition Generator	8
20. To Remove Oven Inner Back.	8
22. To Replace an Oven Fan	8
23. To Remove an Oven fan Element	8
24. To Remove Broiler Element.	8
25 To Remove the LH Oven Bottom and Top Elements	9
26. To change Main oven light bulb.	9
27 To Remove Tall Oven Door	9
28. To Change Tall Oven Door Outer Panel	9
29. To Change Tall Oven Door Magnetic Latch	9
30. To Replace the Cooling fan	9
Schematic diagram of the Range	10
Technical Data	12

SERVICING - WARNING

Disconnect from electricity and gas before servicing. Check appliance is safe when you have finished.

Servicing Notes

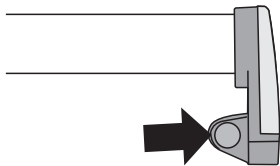
When servicing or replacing gas carrying components disconnect from gas before commencing operation and check appliance is gas sound after completion. When checking for gas leaks use a liquid leak detector at all joints and connections to check for leaks in the system. Use a product specifically manufactured for leak detection. Leak testing of the appliance shall be conducted in accordance to the manufacturer's instructions.

CAUTION: DO NOT USE A FLAME TO CHECK FOR GAS LEAKS.

Do not use re-conditioned or unauthorised gas controls.

Disconnect from electricity supply before commencing servicing, particularly before removing any of the following: control panel, side panels, cooktop tray, or any of the electrical components or cover boxes. Before electrical reconnection make sure the range is electrically safe.

1. To Remove the Hand Rail

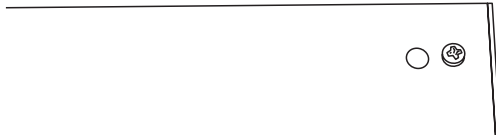


Remove the handrail plastic blanking plugs and remove the 2 end bracket fixing screws.

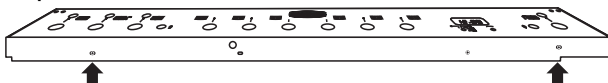
2. To Remove Control Panel

Disconnect from electricity supply.

Pull off all the control knobs. Remove the handrail (see 2) Remove the 2 cross headed screws that were hidden by the handrail end brackets.



Open the broiler door and R H oven door and remove the 2 screws underneath the control panel.



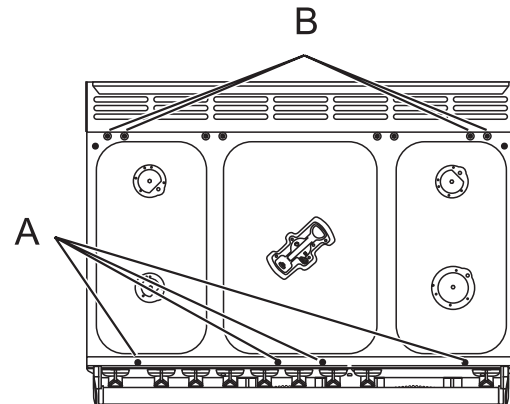
Pull the control panel forward and support so that the wires are not strained.

Reassemble in reverse order. When replacing leads refer to the wiring diagram. Check operation of timer, ignition, and oven light switches.

3. To Remove the Cooktop

Disconnect from electricity supply.

Remove the pan supports, cooktop burner caps and tops. If there are screws holding the cooktop burners to the cooktop, remove them (not the spark electrode fixing screws).



A Cooktop front fixing screws

B Cooktop rear fixing screws

Remove the 4 rear cooktop fixing screws (B) and the 4 front cooktop fixing screws (A).

Remove the screws holding the flue grille stays. Lift the cooktop clear of the appliance. Replace in reverse order.

Reassemble in reverse order ensuring that the leads are reconnected.

Check for correct burner operation.

4. To Remove a Side Panel

Disconnect from electricity supply.

Remove control panel (see 2). Pull the cooker forward. Remove the 4 retaining screws for each panel (2 at the front and 2 at the rear). The lower front retaining screws (one each side) are situated beneath the lower edge at the front corners of the side panels

Reassemble in reverse order.

SERVICING - WARNING

Disconnect from electricity and gas before servicing. Check appliance is safe when you have finished.

5. To Remove Oven Light Switch

Remove control panel (see 2).

NB The old switch may be destroyed during removal.

Remove switch button and old switch from its bezel by gripping the switch body behind the control panel and twisting sharply.

The switch bezel can then be removed by folding back its locking wings and pushing forward.

Fit the new bezel to the control panel by first lining up the raised key on its body with the cutout in the control panel and pushing it in from the front. Assemble the new switch to the bezel by lining up the key sections and pushing home. Fit the new button by pushing in from the front.

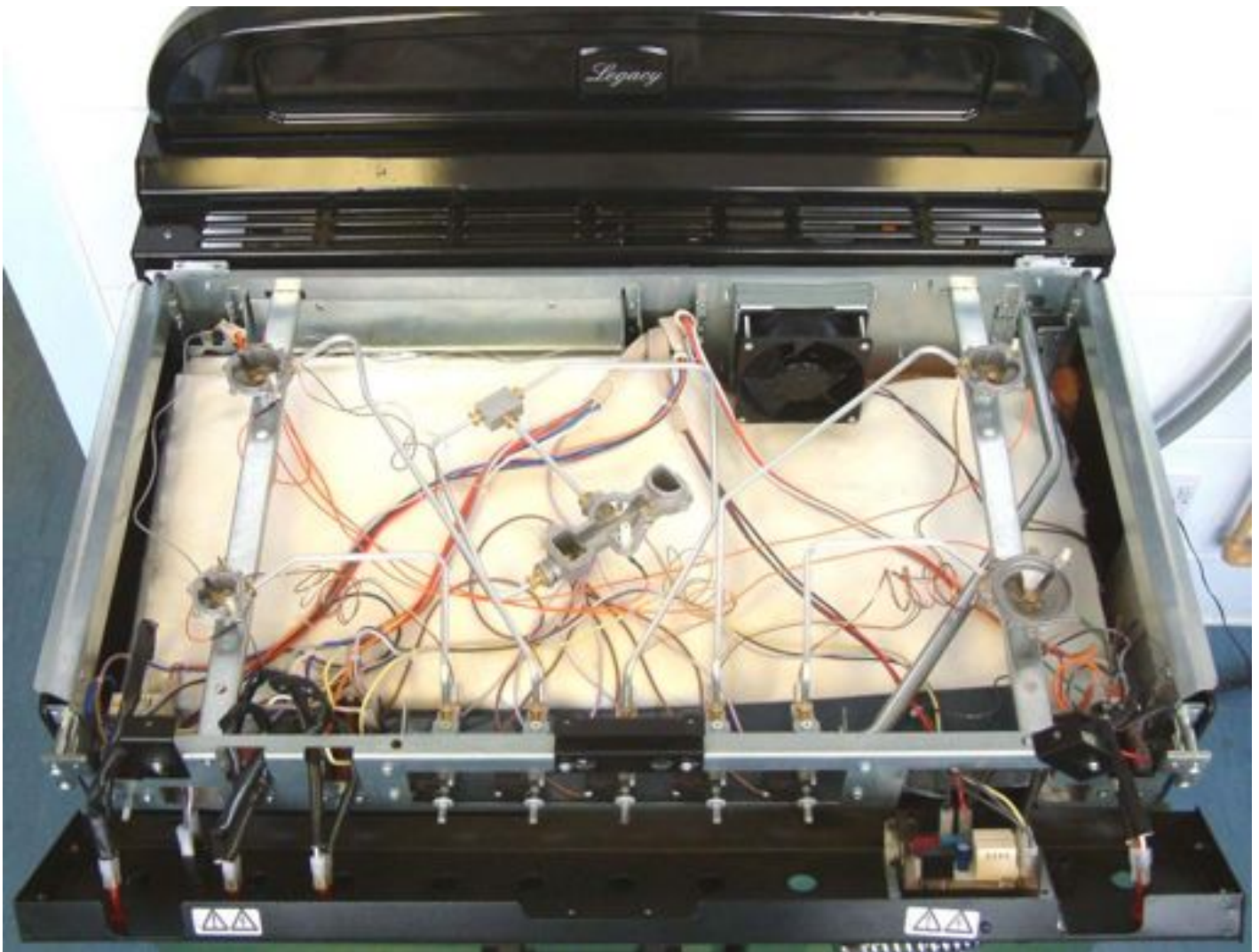
Replace control panel in reverse order and test for correct operation.

6. To Remove Electronic Timer

Disconnect from electricity supply.

Pull off the timer control buttons and remove the control panel (See 2). Remove the timer/mounting bracket assembly from the control panel by removing the two fixing screws. Remove the timer from its mounting bracket by depressing the plastic lugs on the timer case, at the same time pulling the unit forward.

Reassemble in reverse order. When replacing leads refer to the wiring diagram. Check operation of timer.



SERVICING - WARNING

Disconnect from electricity and gas before servicing. Check appliance is safe when you have finished.

7. To Remove a Thermostat

Remove control panel (see 2) and cooktop (see 3). Open the appropriate oven door and remove the oven shelves.

RH oven

Remove oven roof. Remove the two fixings that secure the thermostat phial cover. Unclip the thermostat phial from the clips in the oven back panel & remove from the top rear of the oven.

LH oven

Remove the two screws holding the thermostat phial to the oven fan cover at the rear of the oven. Pull the unit forward to access the rear of the cooker. Remove both rear cover boxes by removing the fixing screws and lifting clear. Feed the thermostat capillary clear of the oven. Disconnect the wires from the thermostat and undo the two fixings that secure the control to the mounting plate. Fit the replacement and reassemble in reverse order. Ensure that the phial is clipped to the oven rear, positioned centrally between the clips. Check that the thermostat functions correctly.

8. To Change Broiler Controller

Remove the control panel (see 2) and cooktop (see 3). Disconnect wiring from controller. Remove 2 screws holding switch/controller to mounting panel. Fit new controller and reassemble in reverse order. Check for correct operation.

BEFORE SERVICING ANY GAS CARRYING COMPONENTS TURN OFF GAS SUPPLY.

9. To Change a Cooktop Tap

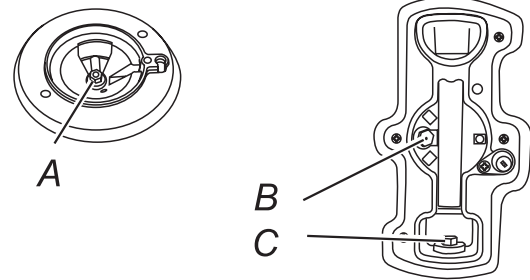
Remove the cooktop top, see 3. Undo the nut at rear of the valve and remove the screw(s) securing valve to gas rail. Remove old valve, discard old gasket/seal. Fit new gasket/seal to new valve.

Reassemble in reverse order. Check valve is adjusted for correct gas. Check cooker is gas sound.

10. To Change a Cooktop burner orifice

Standard burner

Wok burner



A orifice, B internal orifice, C external orifice

Remove burner cap and head. Remove old orifice. Fit new orifice. **Note** the Wok burner has 2 orifices. Reassemble in reverse order. Check appliance is gas sound.

11. To Change Cooktop Burner Electrode

Lift off hoplate pan supports, remove burner cap. Remove the screw holding the electrode. Pull electrode vertically up sufficiently to grip the lead between thumb and forefinger. Pull off the electrode, but keep hold of the lead. Fit new electrode to the lead. Fix electrode in burner with screw. Replace burner cap. Check the burner ignition. Replace pan supports.

SERVICING - WARNING

Disconnect from electricity and gas before servicing. Check appliance is safe when you have finished.

12. To Remove or Change a Cooktop Burner.

Remove the cooktop tray (see 3). Remove the control panel (see 2).

Outer Cooktop burners

The burners are mounted in 2's on cross supports. Disconnect the burner feed pipes at the burners.



Remove the screw at the front holding the cross support. Slide the support to the right to release it from the rear location. Lift the cross support and burners clear. The burners are fixed to the cross supports with screws underneath. Remove the appropriate burner and fit the new one. Reassemble in reverse order. Check burner operation is satisfactory.

Wok burner

Disconnect the burner feed pipes at the burner. Fit the new one and reassemble in reverse order. Check burner operation is satisfactory.

13. To Remove Broiler Outer Door Panel

Open left hand oven door and remove 2 screws from bottom edge of broiler door. Open broiler door, support broiler door outer panel and remove two screws from top inner face of broiler door. There is a pad of fibre insulation inside the door.

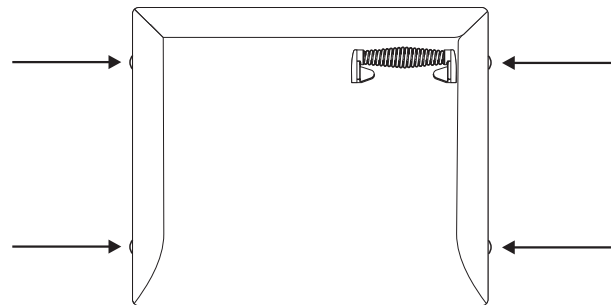


Reassemble in reverse order making sure that the pad of insulation is in place.

14. To Remove Main Oven Door

Open oven door and remove Handyrack (where fitted) by springing one side out of the bracket on the door and sliding the other side free. Support the door and remove the two screws securing the upper hinge and packing to the cooker front. Remove the door from the lower hinge by lifting slightly and moving outwards.

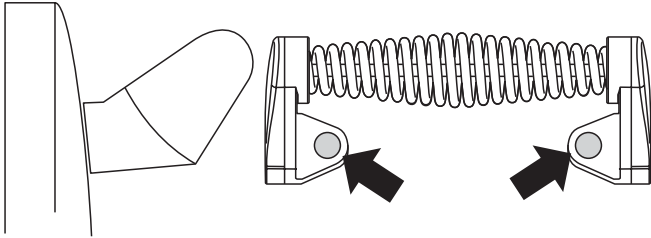
Reassemble in reverse order.



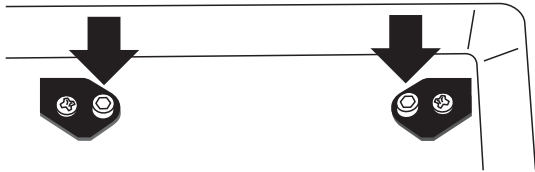
SERVICING - WARNING

Disconnect from electricity and gas before servicing. Check appliance is safe when you have finished.

15. To Change Main Oven Door Outer Panel

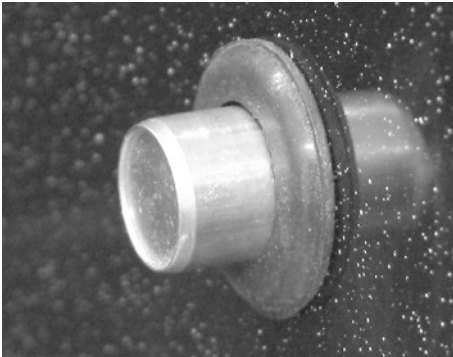


Remove the two plastic blanking plugs from the door handles. Remove the 4mm Hex headed screws holding the handle to the door with the hexagon key tool. Remove two screws from top edge and two from bottom edge of the door. Remove outer door panel. Fit door handle to new panel. Fit the plastic blanking plugs to the fixing holes.



The handles should be above the fixings.

Fit panel to door. If replacing the outer panel on the right hand door (with the Thermodial) take care to make sure the sensor of the Thermodial is sealed to the door by the rubber grommet.

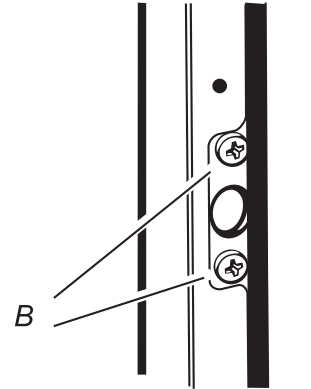


Reassemble in reverse order.

16. To Change Main Oven Door Catch

Remove outer door panel (see 15). Remove screws 'B' holding catch assembly to inner door panel. Fit new catch and reassemble in reverse order.

Check correct door operation.



17. To Change Oven Door Seal

Open oven door. The seal is held in place by small hooks on the rear face. At the corner pull seal diagonally away from the door centre until that hook is released. Proceed to the next hook and release it in a similar way, and so on.

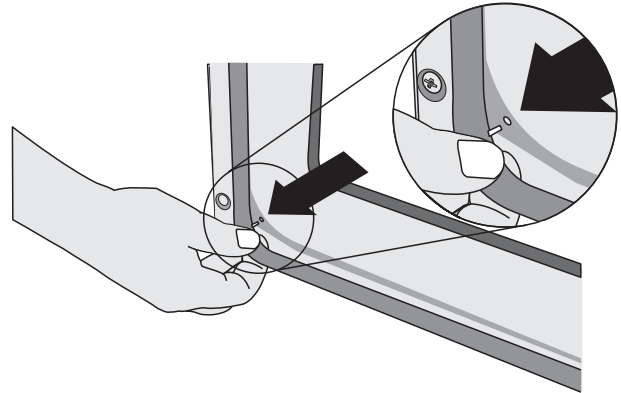


Fig. 4

When fitting new seal, position the seal join at the bottom. Hook the new seal in one of the corner holes of the door, and proceed round the door snapping in each hook in turn.

18. To Adjust Oven Door Catch Keep

Open oven door, slacken off locknut at base of keep, and screw in or out as required until required fit is obtained. Retighten locking nut.

SERVICING - WARNING

Disconnect from electricity and gas before servicing. Check appliance is safe when you have finished.

19. To Change Ignition Generator

Disconnect from electricity supply.

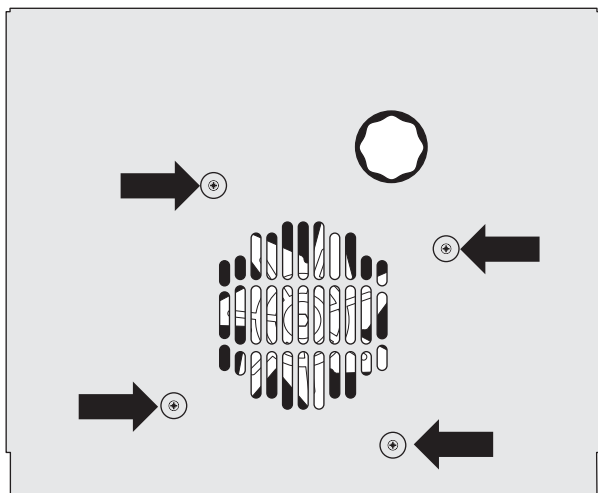
Pull cooker forward to gain access to the cover box at the rear of the left hand cooker. Remove the screws securing the cover and lift clear.

Pull off all the leads to the generator noting their positions. Slacken the two screws holding generator to cooker and remove generator.

Fit new generator to cooker and replace leads. Reassemble in reverse order. Refer to wiring diagram. Check ignition performance.

20. To Remove Oven Inner Back.

Open the oven door. Remove oven furniture. For the LH oven unscrew the 2 thermostat phial fixing screws.



Remove the fixings that secure the inner back to the oven rear.

Lift the removable panel away. Re-assemble in reverse order. Ensure that the retaining fixings are fully tightened. For the LH oven unscrew the 2 thermostat phial fixing screws. Remove the screws that secure the inner back to the oven rear. Lift the removable panel away. Re-assemble in reverse order. Ensure that the retaining fixings are fully tightened.

22. To Replace an Oven Fan

Disconnect from electricity supply.

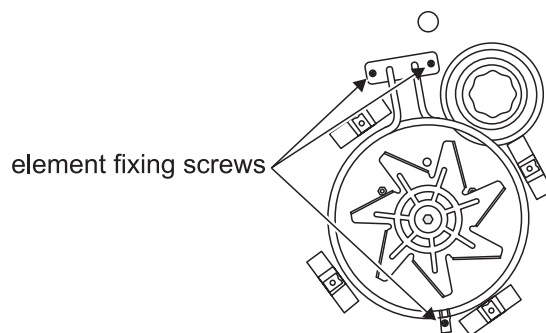
Pull the unit forward to access the cover boxes at the rear of the appliance.

Remove the fixings that secure the cover and lift it clear. Remove the fan wiring, noting the connection positions. Remove the inner back as detailed in Section 20. Hold the fan blades and undo the centre nut (LH thread), brass washers and fan blade. Undo the fixings that retain the fan and remove it from the cavity rear. Fit the replacement and re-assemble parts in reverse order. Check that the oven operates satisfactorily.

23. To Remove an Oven fan Element

Disconnect from electricity supply.

Remove the inner back as detailed in Section 20.



Remove the fixings that secure the element within the oven and lift the element away carefully. Disconnect the leads and connect to the replacement element and re-assemble parts in reverse order. Check that the oven operates correctly.

24. To Remove Broiler Element.

Disconnect from electricity supply.

Remove broiler pan from broiler chamber. From inside broiler compartment remove enamelled front shield from broiler roof, 2 screws and washers. Remove 2 screws and washers securing the broiler element front support. Remove 1 screw from each of the broiler elements and withdraw broiler elements from broiler chamber. Disconnect the leads and connect to the replacement elements and re-assemble parts in reverse order. Check operation of broiler.

SERVICING - WARNING

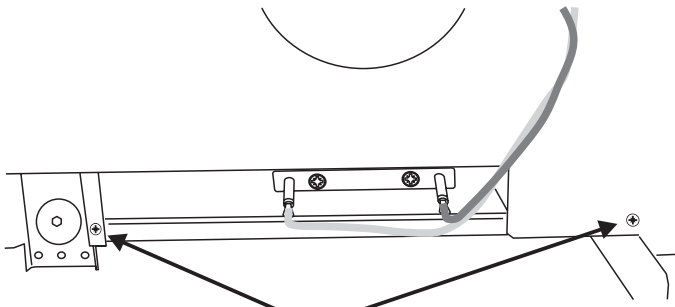
Disconnect from electricity and gas before servicing. Check appliance is safe when you have finished.

25 To Remove the LH Oven Bottom and Top Elements

Disconnect from the electricity supply.

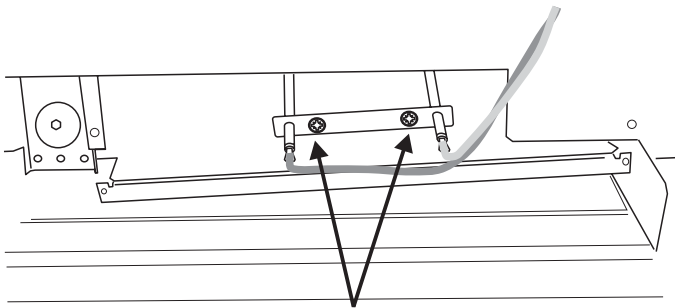
Bottom Element

Pull the cooker forward to access the cover boxes at the rear of the unit. Remove the fixings that secure the cover and lift it clear.



A

Remove the 2 screws 'A' and allow the plate to drop down.



B

Remove the 2 screws B, holding the element to the bottom sheet.

Disconnect the leads, noting their positions.

Withdraw bottom element. Fit the new element and re-assemble parts in reverse order.

Top Element

Open the LH oven door and undo the fixings that secure the heat shield. Remove the top element bracket fixings and withdraw element. Replace the element and re-assemble parts in reverse order. Check that the oven operates satisfactorily.

26. To change Main oven light bulb.

Disconnect from the electricity supply.

Remove the oven furniture. Unscrew the bulb. Fit an Edison screw fitting 15w 125-130v lamp, FOR OVENS. It must be a special bulb, heat resistant to 300 °C.

27 To Remove Tall Oven Door

Open oven door, support the door and remove the two screws securing the upper hinge and packing to the cooker front. Remove the door from the lower hinge by lifting slightly and moving outwards. Reassemble in reverse order.

28. To Change Tall Oven Door Outer Panel

Remove oven door see 16. Lay door face down on a suitable surface and remove 2 screws from bottom edge of door and 2 screws from inside face of door.

Remove outer door panel. Remove door handle by unscrewing 2 screws. Remove 2 cross-headed screws holding door handle fixing bracket to door panel. Fit door handle bracket and door handle to new panel.

Fit panel to door. Reassemble in reverse order.

29. To Change Tall Oven Door Magnetic Latch

Remove the control panel (see 4).

Remove the plinth (3 screws) and the central vertical cover (5 screws). Prize the retaining clip off the magnet unit. Fit new unit and retaining clip.

Reassemble in reverse order.

Check correct door operation.

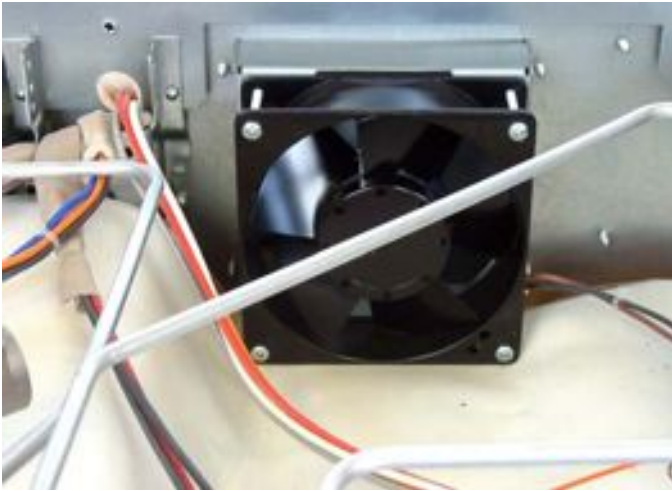
SERVICING - WARNING

Disconnect from electricity and gas before servicing. Check appliance is safe when you have finished.

30. To Replace the Cooling fan

Disconnect from electricity supply.

Remove the cooktop see 3.



Disconnect the leads from the fan noting the orientation. Remove the fan from the mounting bracket. Fit the new fan and reassemble in reverse order.

Schematic diagram of the Range

Caution: Label all wires prior to disconnection when servicing controls. Wiring errors can cause improper and dangerous operation. Verify proper operation after servicing.

Code	Description
BRE	Broiler elements
BSB	Broiler switch block
BTC	Broiler controller
CFM	Cooling fan motor
IGS	Ignition switches
ISG	Ignition spark generator
LBE	Left hand bottom element
LFE	Left hand fan element
LTI	Left hand top inner element
LTO	Left hand top outer element
LOS	Left hand oven switch block
NLI	Neon indicator light
OFM	Oven fan motor
OLS	Oven light switch
OTL	Left hand oven thermostat
OTR	Right hand oven thermostat
OVL	Oven light bulb
ROE	Right hand oven element
RSB	Right hand oven switch block
TCK	Timer clock
TCO	Thermal cut out

Code	Color
BK	Black
BL	Blue
BR	Brown
GY	Grey
O	Orange
R	Red
V	Violet
W	White
Y	Yellow

SERVICING - WARNING

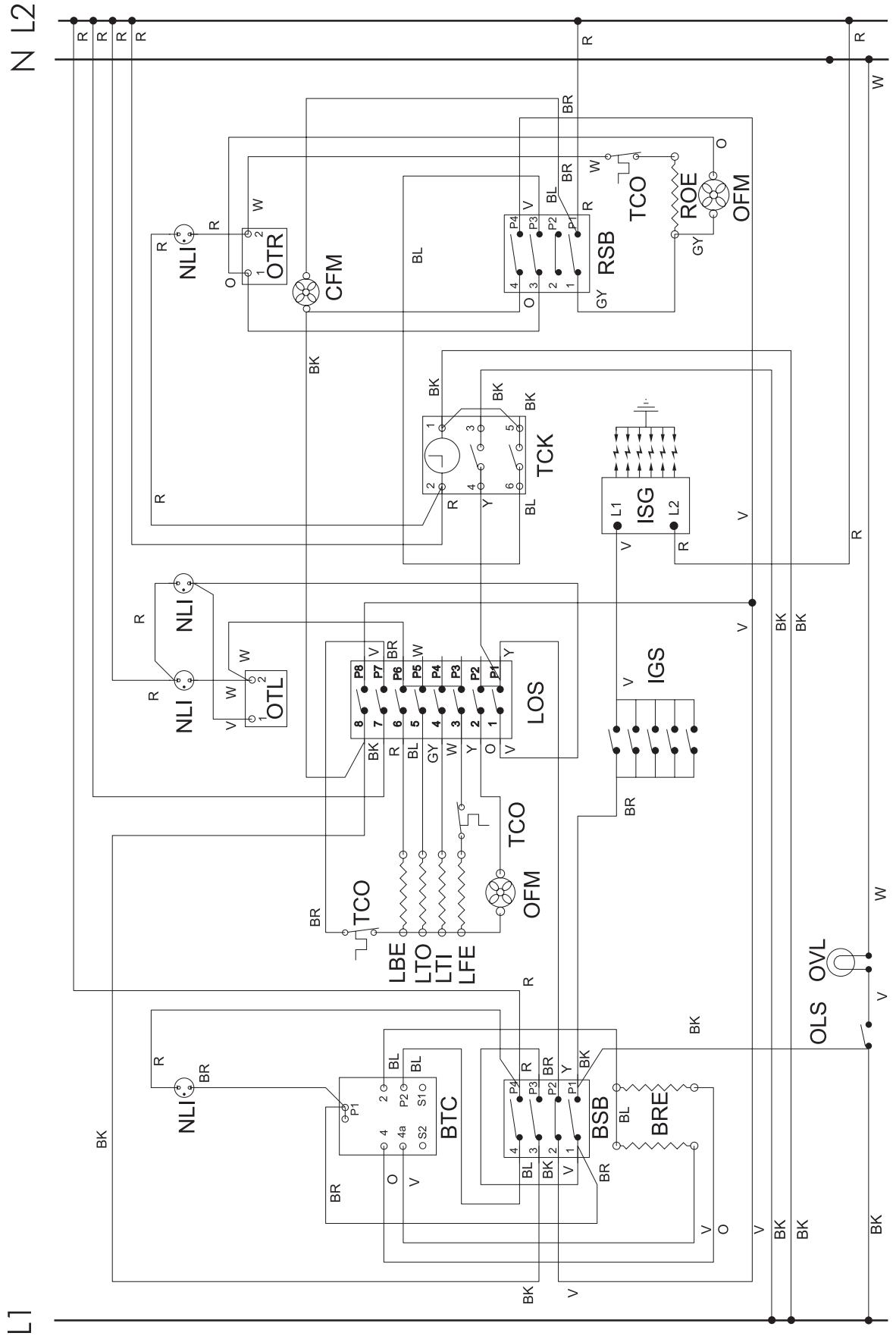
Disconnect from electricity and gas before servicing. Check appliance is safe when you have finished.

SERVICING - WARNING

Disconnect from electricity and gas before servicing. Check appliance is safe when you have finished.

Schematic diagram of the Range

Caution: Label all wires prior to disconnection when servicing controls. Wiring errors can cause improper and dangerous operation. Verify proper operation after servicing.



SERVICING - WARNING

Disconnect from electricity and gas before servicing. Check appliance is safe when you have finished.

Technical Data

This range is supplied set for Natural gas.

A conversion kit from NG to LP gas is included.

INSTALLER: Please leave these instructions with the User.

DATA BADGE LOCATION: Under the Main oven. Remove the plinth by pulling forward (it is held in place by magnetic catches) and pull forward on the sheet metal tag under the center of the oven to swing out the badge plate.

Country of Destination: USA/Canada

Gas		Electric
Natural Gas	4.0" W.C (10 mbar)	240V 60Hz
Propane	10.0" W.C (25 mbar)	

(See appliance data badge for test pressures)

Dimensions

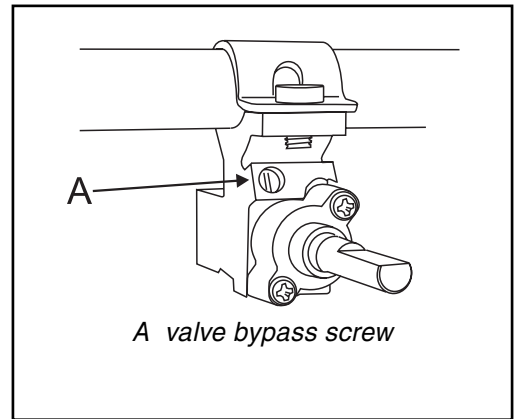
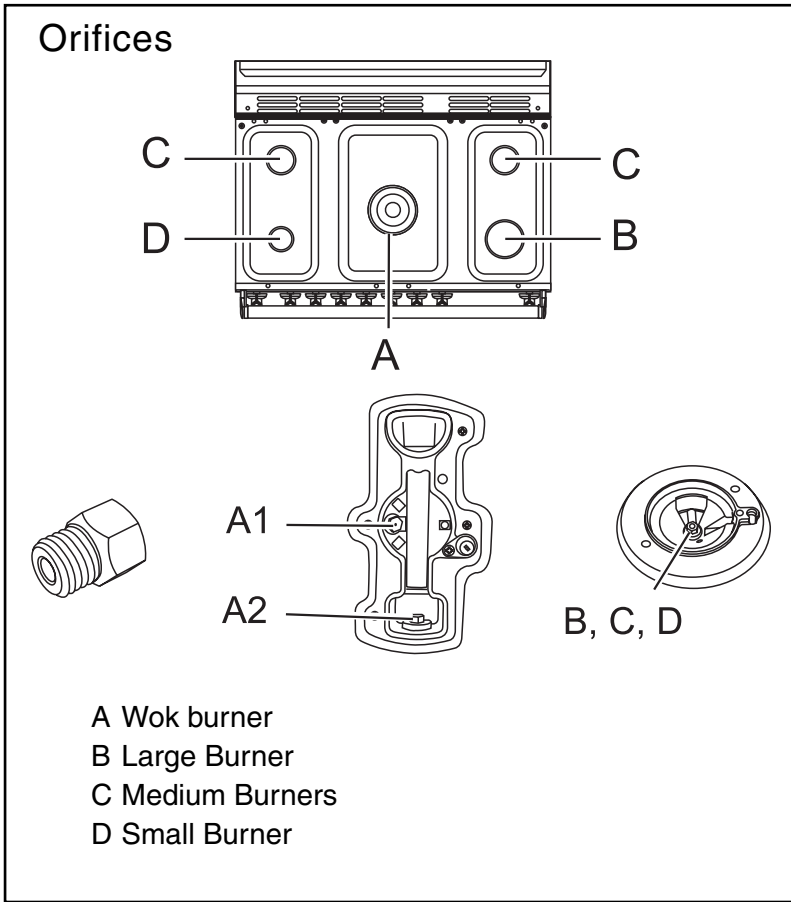
Overall height (splash not fitted)	minimum 35 ³ / ₈ " (89.8 cm)	maximum 36 ⁷ / ₁₆ " (92.5 cm)
Overall width	35 ¹ / ₂ " (90cm) See 'Positioning the Range'	
Overall depth with spacer	28 ³ / ₄ " (73cm)	
Space for fixing	See 'Positioning the Range'	
Minimum space above cooktop	30" (76cm)	

Connections

Gas :	Electric:
¹ / ₂ " NPT at rear right-hand side	240 V 60 Hz

SERVICING - WARNING

Disconnect from electricity and gas before servicing. Check appliance is safe when you have finished.



Ratings

Cooktop	Natural Gas			Propane Gas		
		Orifice	Screw		Orifice	Screw
Wok burner	15,000Btu/hr	internal 110	82	15,000Btu/hr	internal 71	49
		external 166			external 93	
Large Burner	12,000Btu/hr	170	70	12,000Btu/hr	106	38
Medium Burners	9,200Btu/hr	150	53	8,000Btu/hr	84	31
Small Burner	5,000Btu/hr	107	43	4,200Btu/hr	61	22

Gas burner inputs based on Gross Calorific Value

Ovens	Left hand Multifunction Oven	Right hand Fan Oven
Fan element	2.5kW	2.5kW
Top element	1.2kW	
Browning Element	1.15kW	
Bottom element	1.0kW	
Broiler	2.3kW	

Maximum total electrical load at 240V 7.4kW (approximate total including oven lights, oven fan etc.)



Aga Ranges
110 Woodcrest Road
Cherry Hill, NJ 08003 USA
1.866.4AGA.4USA
www.aga-ranges.com
Email support@aga-ranges.com