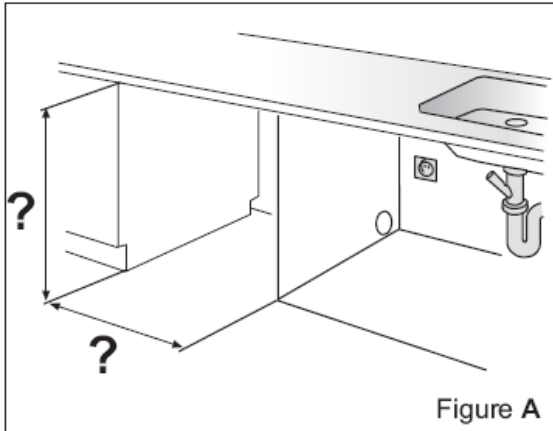


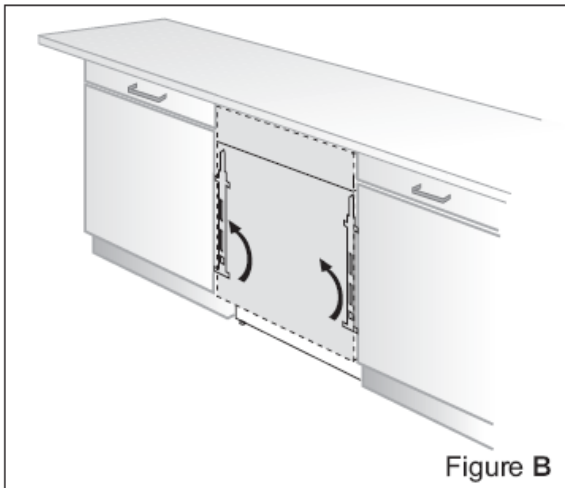
Installing the Custom Panel on your new fully integrated Blomberg Dishwasher



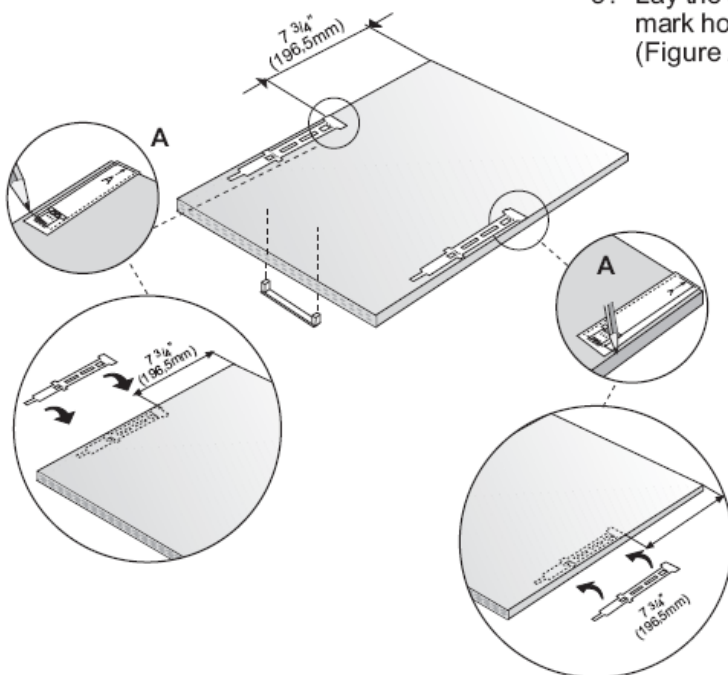
Measure the height and width of the enclosure (Figure A) and the toe kick. Determine how big the wooden door can be. For example if the height is $33\frac{7}{8}$ " (860 mm) and if the toe kick is $3\frac{15}{16}$ " (100 mm) the door can not be taller than $29\frac{15}{16}$ " (760 mm).

1. Prepare the wooden door with the mounting brackets.
Height : Height of the wooden door 30" (760 mm)
Width : $23\frac{1}{4}$ " to $23\frac{1}{2}$ " (592 mm - 595 mm)
Thickness : $\frac{3}{4}$ " (19 mm)

Typical Panel = 30" Tall x $23\frac{1}{2}$ " Wide

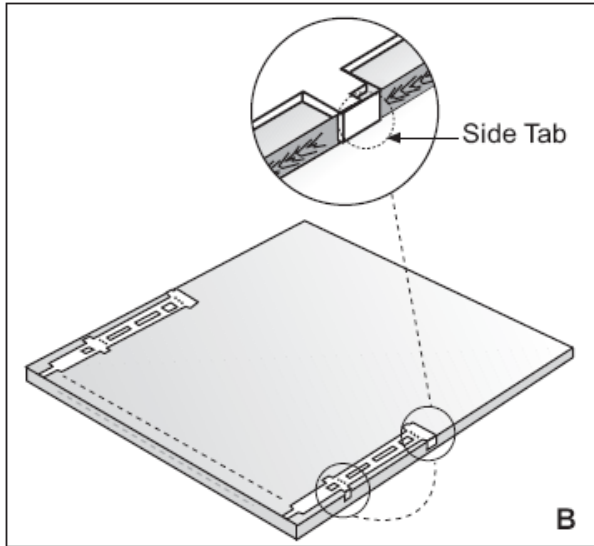


2. Remove the plastic mounting brackets from the dishwasher (Figure B).

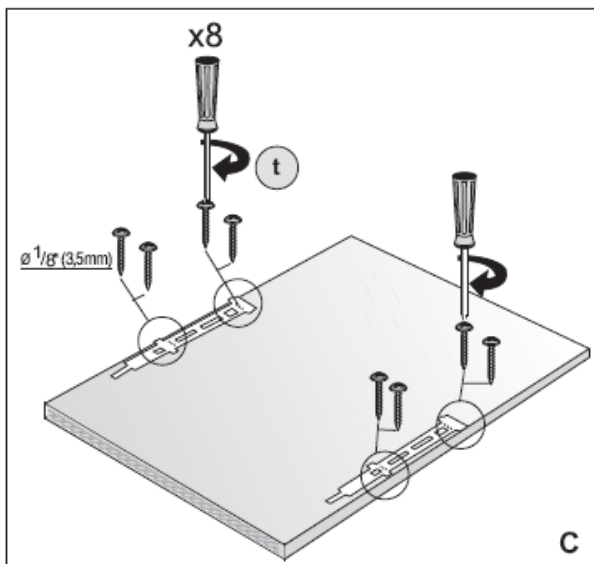


3. Lay the schematic over the door from the bottom up and mark holes on the wooden door as shown in the drawing (Figure A).

Installing the Custom Panel on your new fully integrated Blomberg Dishwasher

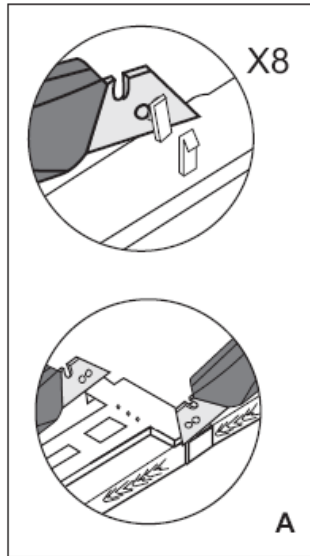


4. Place the plastic mounting brackets over the marked holes and the side tabs must be flush with the edge of the wooden door (Figure B).



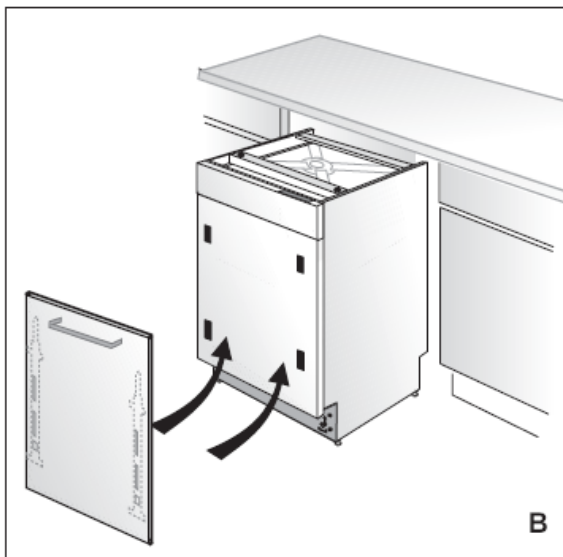
5. Attach the two mounting brackets to the wooden door with eight screws ($\varnothing 1/8$ " x $5/8$ " ($\varnothing 3.5$ mm x 14 mm)) (Figure C).

Installing the Custom Panel on your new fully integrated Blomberg Dishwasher

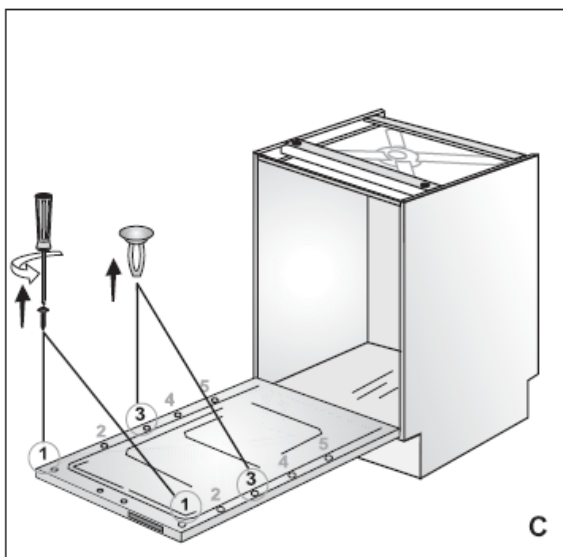


6. Cut the small tabs on the mounting brackets off (Figure A).

7. Cut the side tabs on the plastic mounting brackets off.



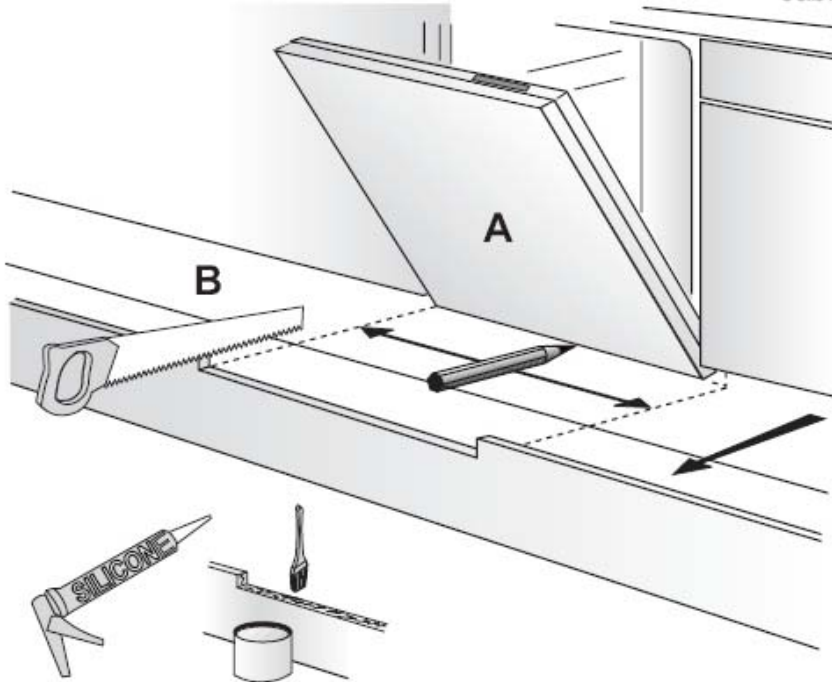
8. Mount the wooden door onto the dishwasher with the plastic mounting brackets which you have attached (Figure B).



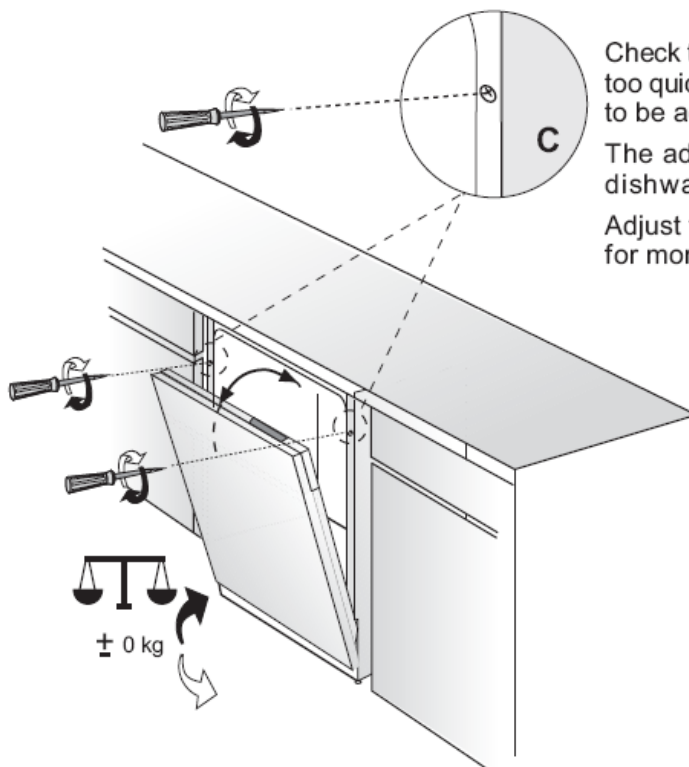
9. Open the door and remove the two caps and two screws inside the door at position 1 and 3 (Figure C).

Installing the Custom Panel on your new fully integrated Blomberg Dishwasher

13. Check whether the bottom of the door hits the toe kick of the kitchen cabinet (A).
- 13.1 If the door hits the toe kick cut the necessary section out of the toe kick (B).
- 13.2 Apply silicon or sealant to the cut edge of the kitchen cabinet toe kick or paint so it does not absorb moisture.



ADJUSTING DOOR TENSION WITH CUSTOM WOODEN DOOR



Check the door tension of the dishwasher: If the door closes too quickly or if the door falls open, the spring tension needs to be adjusted.

The adjustment screws can be found on the front of the dishwasher after you open the door (see drawing).

Adjust the spring tension by turning the screw to the right for more weight and to the left for less weight (Figure C).