



## ProSear Grill Extender & Side Burner with Professional Cart Mount Adaptor Kit

ProSear Grill Extender Model: LPSGE  
Side Burner Models: LSB1 / LSB2

### Installation Instructions

---

1. Remove the components and hardware for Cart Mount Adaptor Kit (LPSGEKIT) from carton. Contents include the following:

- Adaptor cabinet (3 sided)
- Rear panel
- Cart-mounting bracket (27" and 36" applications required alternate bracket / LPSGEBKT)
- ¼ - 20 screws (x11) – Note: 4 additional screws provided for Side Burner (LSB1 & LSB2) cart mounting. See item 11 below.
- Flex-line kit

**Important Note:** When mounting the ProSear Grill Extender (LPSGE) or Side Burner (LSB1 or LSB2) and Cart-Mount Adaptor Kit (LPSGEKIT) to a 27" or 36" Freestanding Grill a Cart-Mount Bracket (LPSGEBKT) is required.

2. Place adaptor cabinet on a level workstation with the open side of the cabinet facing up and welded side-shelf brackets on your right-hand side.
3. Locate the "rear panel" and slide into position on the rear of the cabinet. (When the welded side-shelf brackets are on your right-hand side, the rear of the cabinet is farthest from you.)
4. Attach the rear panel to the cabinet by inserting (2) ¼-20 screws into the (2) slots located in the lower portion of the rear panel and threading them into the weld-nuts on the cabinet. **Be certain the rear panel is secured to cabinet before proceeding.**
5. Locate "flex line".
6. Secure the flex line fitting to the manifold and position the elbow in the direction of the connection that will be made at the grill. (See Gas Hook-Up diagram)

**Important Note:** Use threading compound to make this connection. Threading compound must be LP resistant.

7. Lower the ProSear Grill Extender (LPSGE) or Side Burner (LSB1 / LSB2) chassis into the cabinet and carefully thread flex line through the rear opening of the cabinet. (See flex-line passage in diagram)

**7a.** When mounting the ProSear Grill Extender (LPSGE) or Side Burner (LSB1 / LSB2) to a 30", 42" or 54" freestanding grill the plumbing must thread through the hole closest to the rear of the cabinet.

**7b.** When mounting the ProSear Grill Extender (LPSGE) or Side Burner (LSB1 / LSB2) to a 27" or 36" freestanding grill the plumbing must thread through the hole second from the rear of the cabinet. Use the hole cover included with LPSGEBKT to cap the hole closest to rear of cabinet.

**Important Note:** Make certain that the flex line is not bound, kinked or pinched before proceeding.

## Installation Instructions

---

8. Be certain that the outer flange of the ProSear Grill Extender (LPSGE) or Side Burner (LSB1 / LSB2) is overhanging the cabinet and that the screw holes are properly aligned on all sides.
9. Insert (3) ¼ -20 screws into the outer flange on the side that does not receive the mounting bracket (opposite the plumbing outlet) and (1) ¼ -20 screw into the rear outer flange to secure to the cabinet to the chassis.
10. Locate the “cart-mounting bracket” (**Note:** 27” and 36” grills require an alternate bracket / LPSGEBKT for mounting) and align the (5) screw holes on bracket with the (5) screw holes on side of cabinet. Secure the bracket to the cabinet and chassis with (5) ¼ -20 screws. Leave all screws loose but snug until proper alignment is achieved.
11. REQUIRED FOR SIDE BURNER CART MOUNTING ONLY – Locate lower stabilizing bracket (labeled ‘Side Burner Only’) and place into position show in step #5 of Side Burner diagram. Make certain that upper flange of stabilizing bracket is positioned inside (above) bottom rail of Side Burner. Secure with (4) ¼ - 20 screws
12. Tighten all remaining screws.

### **Mounting the ProSear Grill Extender or Side Burner to your Free Standing Grill**

1. Remove right-hand side shelf that is attached to the grill cart.
2. Remove the rear access panel from the freestanding grill cart and make primary plumbing connection.
3. Thread plumbing through the right side of the grill cart and lift unit onto the welded brackets located on the right-hand side of the freestanding grill. The mounting pins should engage in the slots on the cart-mounting bracket. (See diagram)

**Important Note:** Use threading compound to make this connection. Threading compound must be LP resistant.

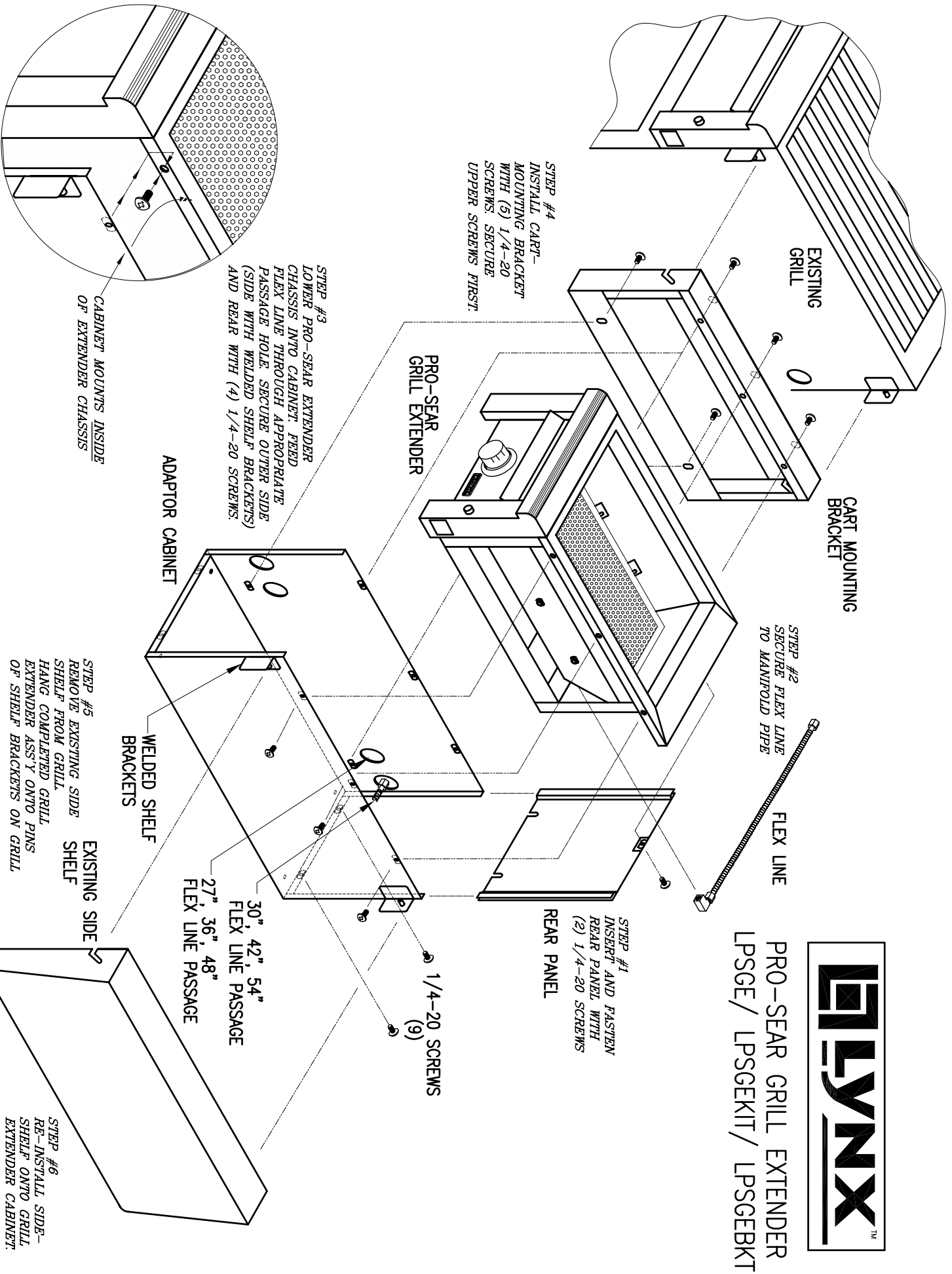
**Important Note:** Make certain that the flex hose and other plumbing is not bound, kinked or pinched before proceeding.

**Important Note:** Check for gas leaks at the connections with a soapy water solution looking for bubbles. If bubbles are present tighten connections and retest.

4. Replace the rear access panel on the freestanding grill cart.
5. Reinstall right-hand side shelf onto the ProSear Grill Extender or Side Burner. – Note: LPSGEBKT for 27” and 36” cart mounting application includes deeper side shelf.



**PRO-SEAR GRILL EXTENDER  
LPSCGE / LPSCGEKIT / LPSCGEBK**



**STEP #4**  
INSTALL CART-MOUNTING BRACKET WITH (6) 1/4-20 SCREWS. SECURE UPPER SCREWS FIRST.

**STEP #3**  
LOWER PRO-SEAR EXTENDER CHASSIS INTO CABINET. FEED FLEX LINE THROUGH APPROPRIATE PASSAGE HOLE. SECURE OUTER SIDE (SIDE WITH WELDED SHELF BRACKETS) AND REAR WITH (4) 1/4-20 SCREWS.

**STEP #2**  
SECURE FLEX LINE TO MAINFOLD PIPE

**STEP #1**  
INSERT AND FASTEN REAR PANEL WITH (2) 1/4-20 SCREWS

**STEP #5**  
REMOVE EXISTING SIDE SHELF FROM GRILL. HANG COMPLETED GRILL EXTENDER ASSY ONTO PINS OF SHELF BRACKETS ON GRILL.

**STEP #6**  
RE-INSTALL SIDE-SHELF ONTO GRILL EXTENDER CABINET.

ADAPTOR CABINET

WELDED SHELF BRACKETS

EXISTING SIDE SHELF

30" 42" 54"  
FLEX LINE PASSAGE  
27" 36" 48"  
FLEX LINE PASSAGE

1/4-20 SCREWS (9)

REAR PANEL

FLEX LINE

CART MOUNTING BRACKET

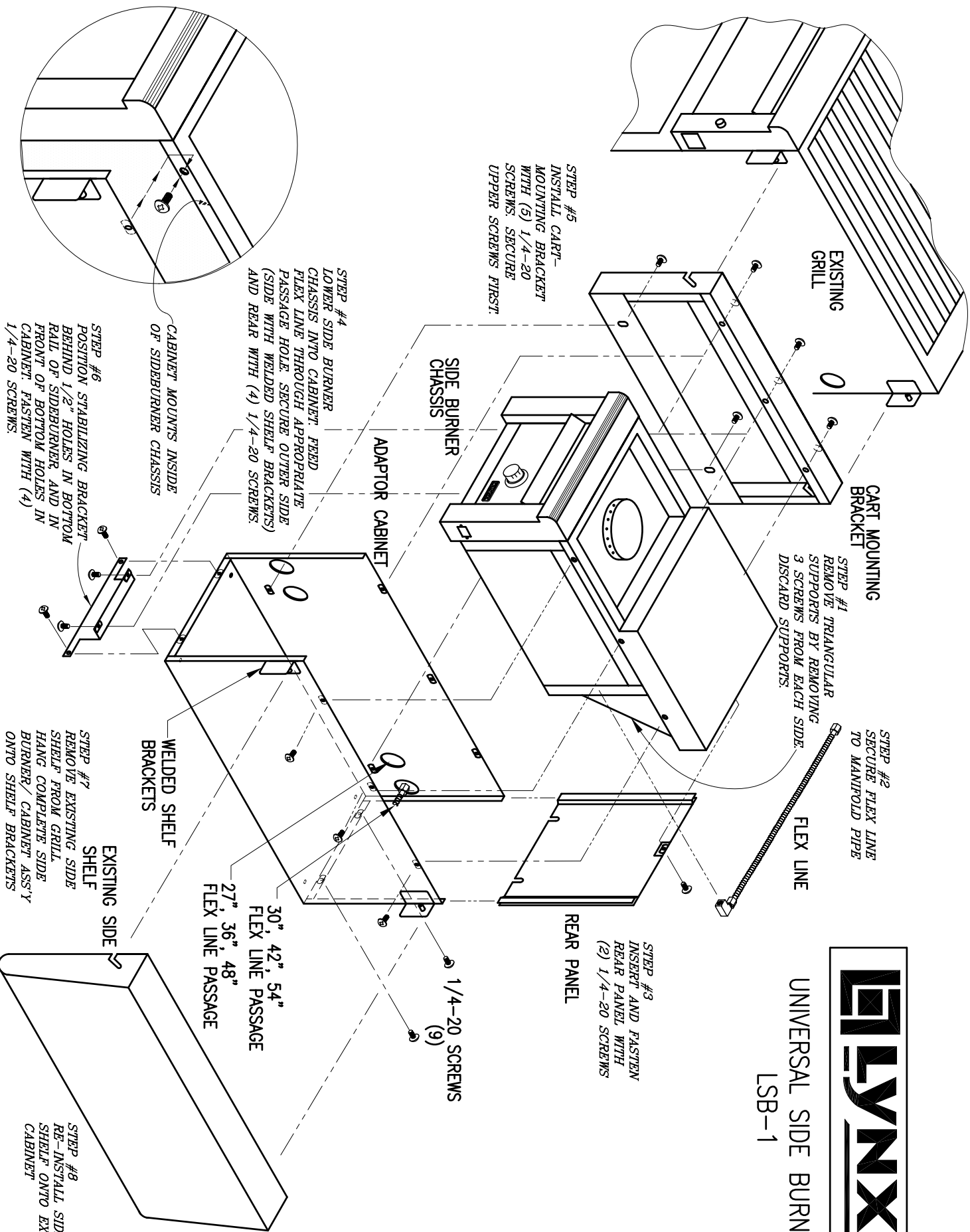
EXISTING GRILL

PRO-SEAR GRILL EXTENDER

CABINET MOUNTS INSIDE OF EXTENDER CHASSIS

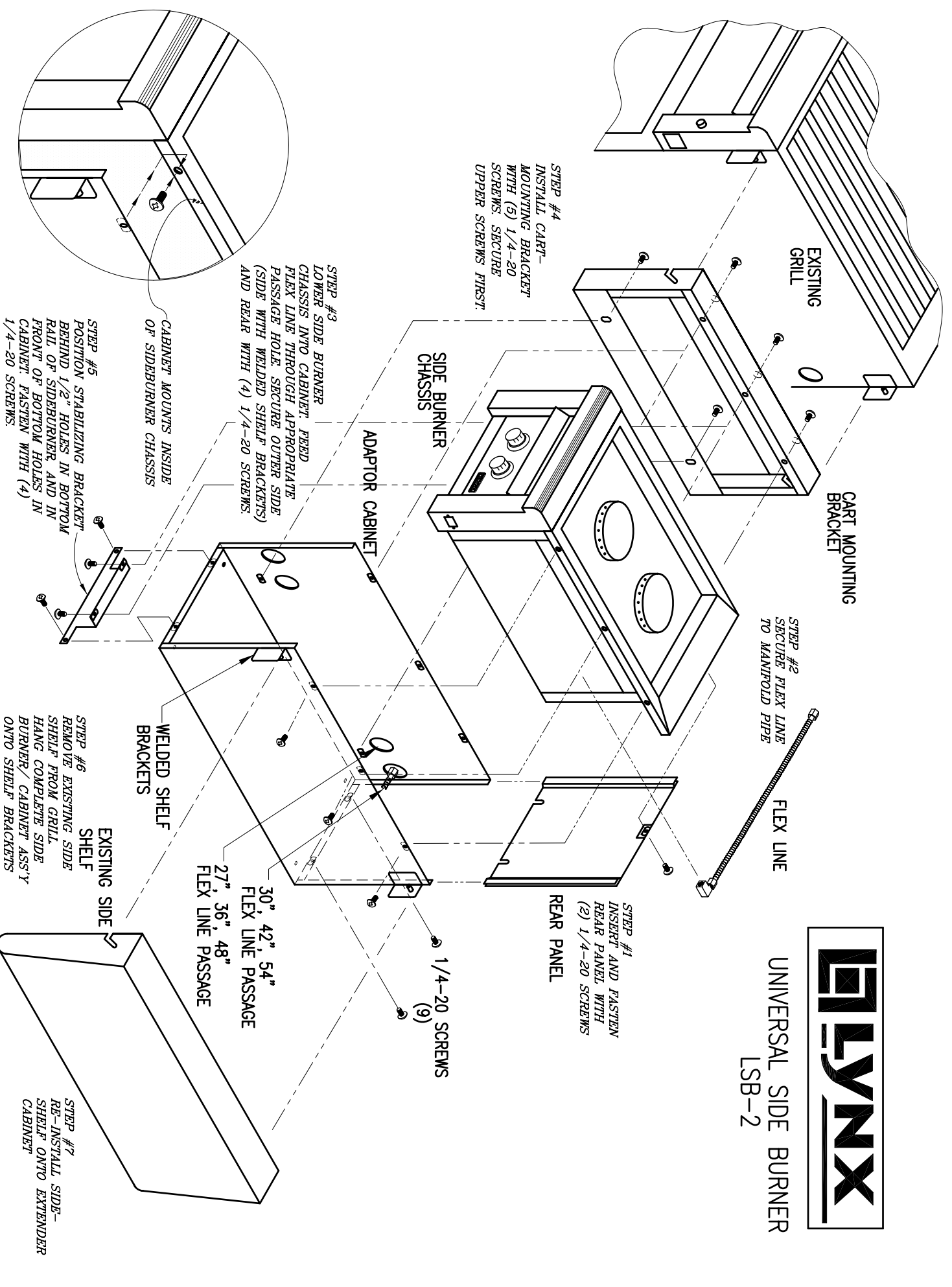


# UNIVERSAL SIDE BURNER LSB-1





# UNIVERSAL SIDE BURNER LSB-2



**STEP #1**  
INSERT AND FASTEN  
REAR PANEL WITH  
(2) 1/4-20 SCREWS

**STEP #2**  
SECURE FLEX LINE  
TO MANIFOLD PIPE

**STEP #4**  
INSTALL CART-  
MOUNTING BRACKET  
WITH (5) 1/4-20  
SCREWS. SECURE  
UPPER SCREWS FIRST.

**STEP #3**  
LOWER SIDE BURNER  
CHASSIS INTO CABINET. FEED  
FLEX LINE THROUGH APPROPRIATE  
PASSAGE HOLE. SECURE OUTER SIDE  
(SIDE WITH WELDED SHELF BRACKETS)  
AND REAR WITH (4) 1/4-20 SCREWS.

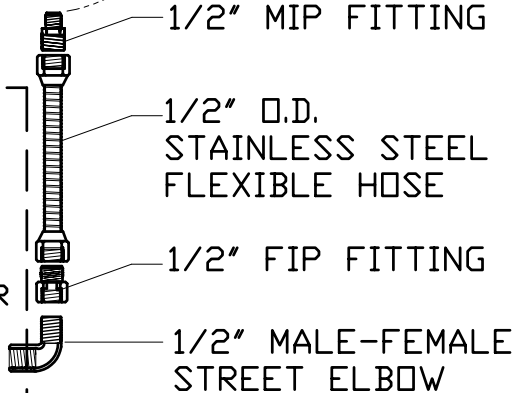
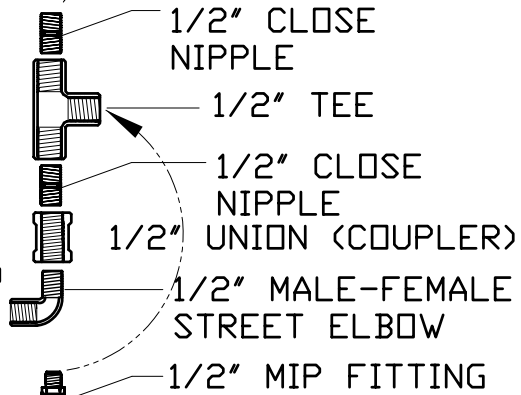
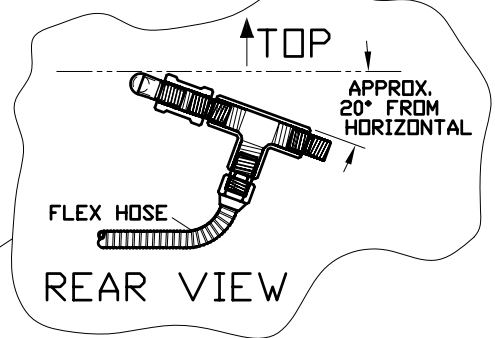
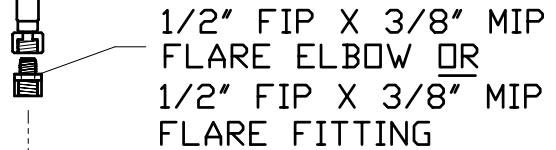
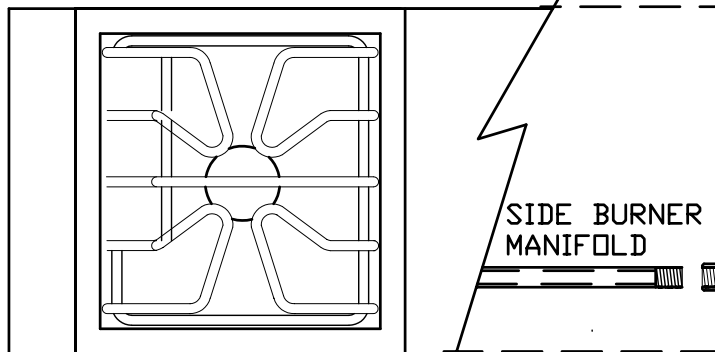
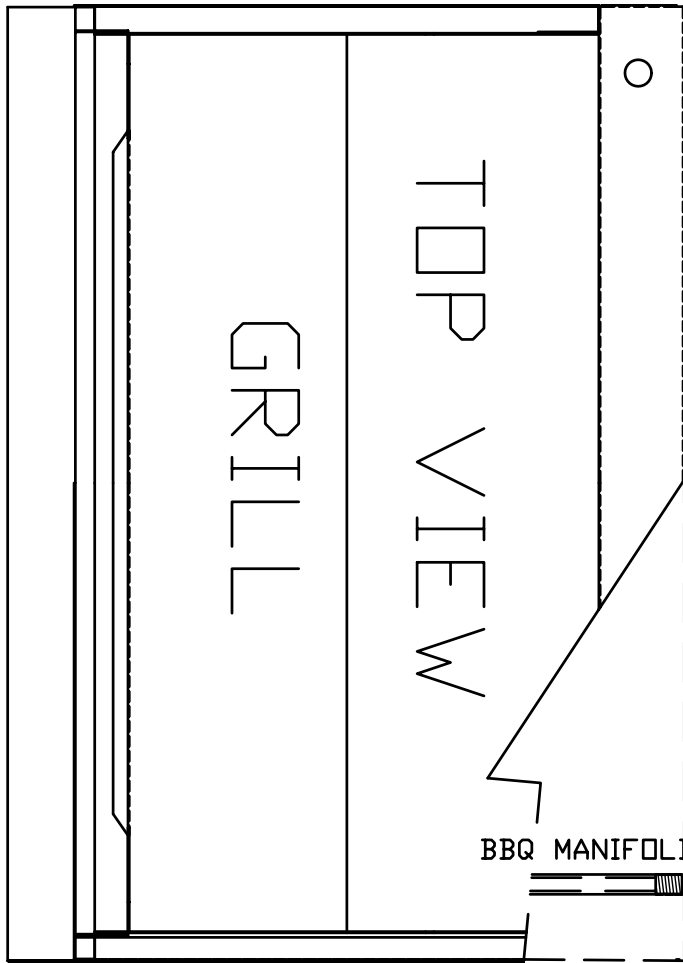
**STEP #5**  
POSITION STABILIZING BRACKET  
BEHIND 1/2" HOLES IN BOTTOM  
RAIL OF SIDEBURNER, AND IN  
FRONT OF BOTTOM HOLES IN  
CABINET. FASTEN WITH (4)  
1/4-20 SCREWS.

**STEP #6**  
REMOVE EXISTING SIDE  
SHELF FROM GRILL.  
HANG COMPLETE SIDE  
BURNER / CABINET ASSY  
ONTO SHELF BRACKETS

**STEP #7**  
RE-INSTALL SIDE-  
SHELF ONTO EXTENDER  
CABINET

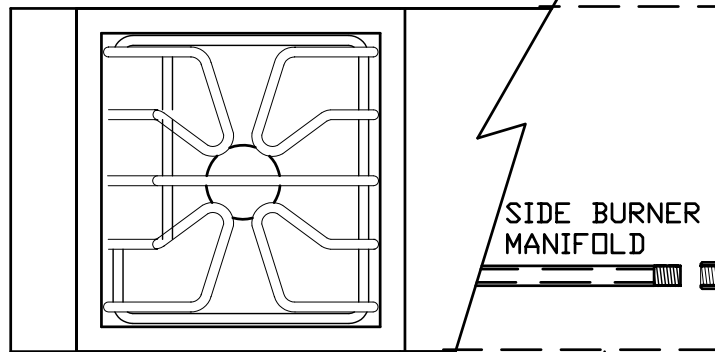
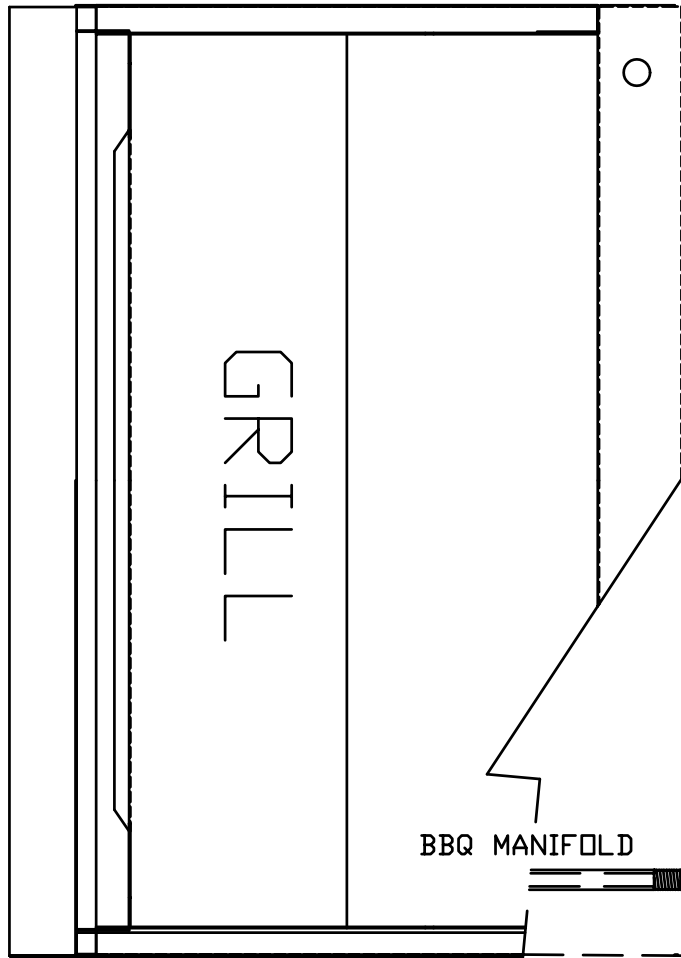


# L.P. GAS HOOK-UP





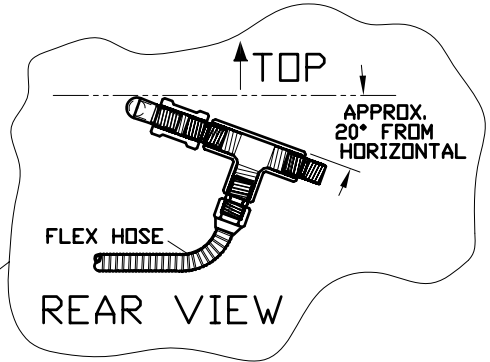
# NATURAL GAS HOOK-UP



N.G. OUTLET SHUT-OFF VALVE

INTER CONNECTING PIPE WORK

REGULATOR



1/2" CLOSE NIPPLE

1/2" TEE

1/2" CLOSE NIPPLE

1/2" UNION (COUPLER)

1/2" MALE-FEMALE STREET ELBOW

1/2" MIP FITTING

1/2" O.D. STAINLESS STEEL FLEXIBLE HOSE

1/2" FIP FITTING

SIDE BURNER OR GRILL EXTENDER