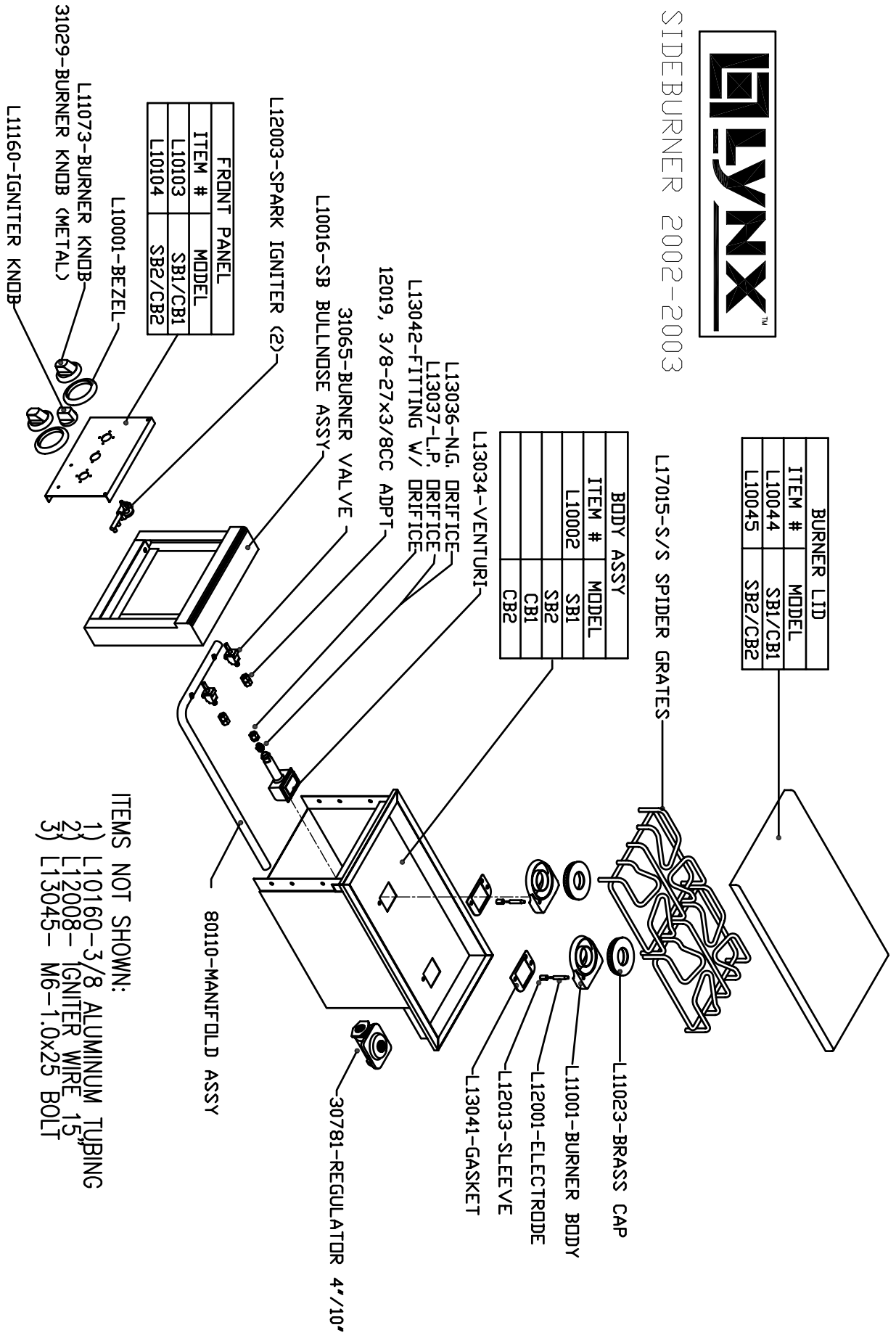




SIDE BURNER 2002-2003

BURNER LID	
ITEM #	MODEL
L10044	SB1/CB1
L10045	SB2/CB2

BODY ASSY	
ITEM #	MODEL
L10002	SB1
	SB2
	CB1
	CB2



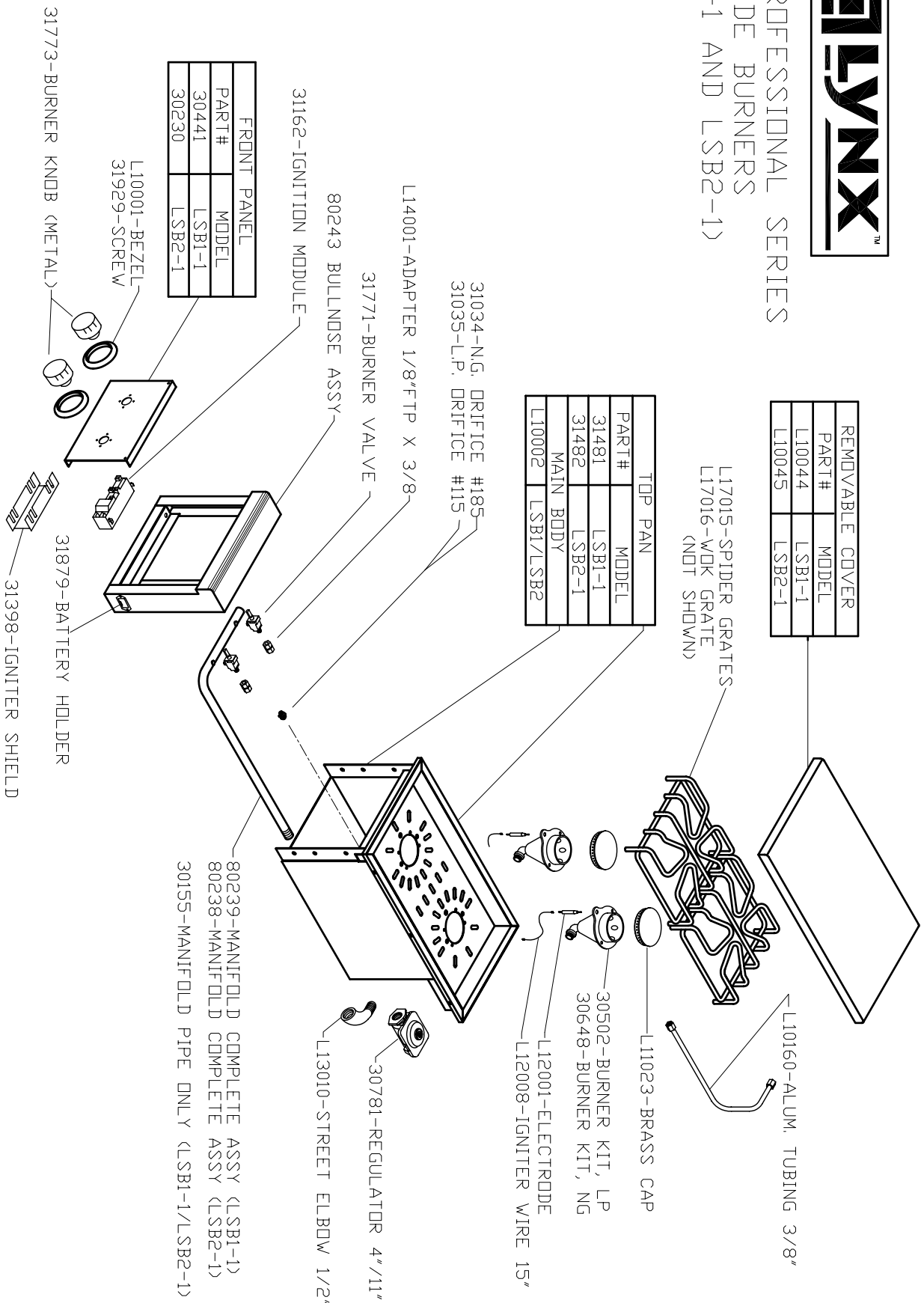
- ITEMS NOT SHOWN:
- 1) L10160-3/8 ALUMINUM TUBING
  - 2) L12008-IGNITER WIRE 15
  - 3) L13045-M6-1.0x25 BOLT



2006 PROFESSIONAL SERIES  
SIDE BURNERS  
(LSB1-1 AND LSB2-1)

REMOVABLE COVER	
PART #	MODEL
L10044	LSB1-1
L10045	LSB2-1

TOP PAN	
PART #	MODEL
31481	LSB1-1
31482	LSB2-1
MAIN BODY	
L10002	LSB1/LSB2

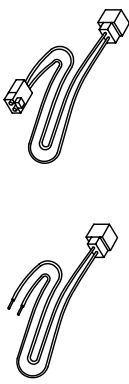




# 2007 PROFESSIONAL SERIES

SIDE BURNERS  
 (LSB1-1, LSB2-1,  
 LPSSGE-1, LSB2PC-1)

REMOVABLE COVER	
PART #	MODEL
L10044	LSB1-1
L10045	LSB2-1
31356	LPSSGE-1
31298	LSB2PC-1
FOR CUTTING BLOCK	
FOR SIDE BURNER	
31299	LSB2PC-1



LED HARNESS CONNECTOR (CONNECTS TO MAIN GRILL)  
 LED HARNESS EXTENDER (EXTENDS FROM LED HARNESS)

LED HARNESS ASS'Y	
PART #	MODEL
LED HARNESS FOR LSB1-1	LSB1-1
LED HARNESS FOR LSB2-1	LSB2-1
LED HARNESS FOR LPSSGE-1	LPSSGE-1
LED HARNESS FOR LSB2PC-1	LSB2PC-1
LED ASS'Y W/ 8" WIRE LEAD	ALL

FRONT PANEL-LIGHTED	
PART #	MODEL
32097	LSB1-1
32098	LSB2-1
32099	LPSSGE-1
32096	LSB2PC-1

31773-BURNER KNOB (METAL)

L10001-BEZEL  
 31929-SCREW

31162-IGNITION MODULE

80243 BULLNOSE ASSY

31771-BURNER VALVE

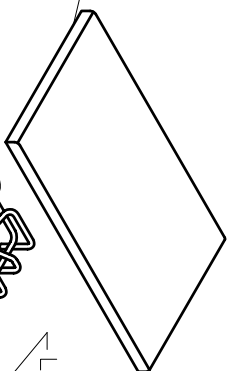
L14001-ADAPTER 1/8"FTP X 3/8"

31034-N.G. DRIFICE #185  
 31035-L.P. DRIFICE #115

TOP PAN AND MAIN BODY ASS'Y-NOT FIELD REPLACABLE

L17015-SPIDER GRATES  
 L17016-W/DK GRATE (NOT SHOWN)  
 31371-LPSSGE-1 GRATE (NOT SHOWN)

31879-BATTERY HOLDER  
 31398-IGNITER SHIELD



L10160-ALUM. TUBING 3/8"

32231-BRASS CAP ONLY

32232-ALUM. BURNER ONLY  
 30502-BURNER KIT + CAP, LP  
 30648-BURNER KIT + CAP, NG

L12001-ELECTRODE ONLY  
 L12008-IGNITER WIRE 15"

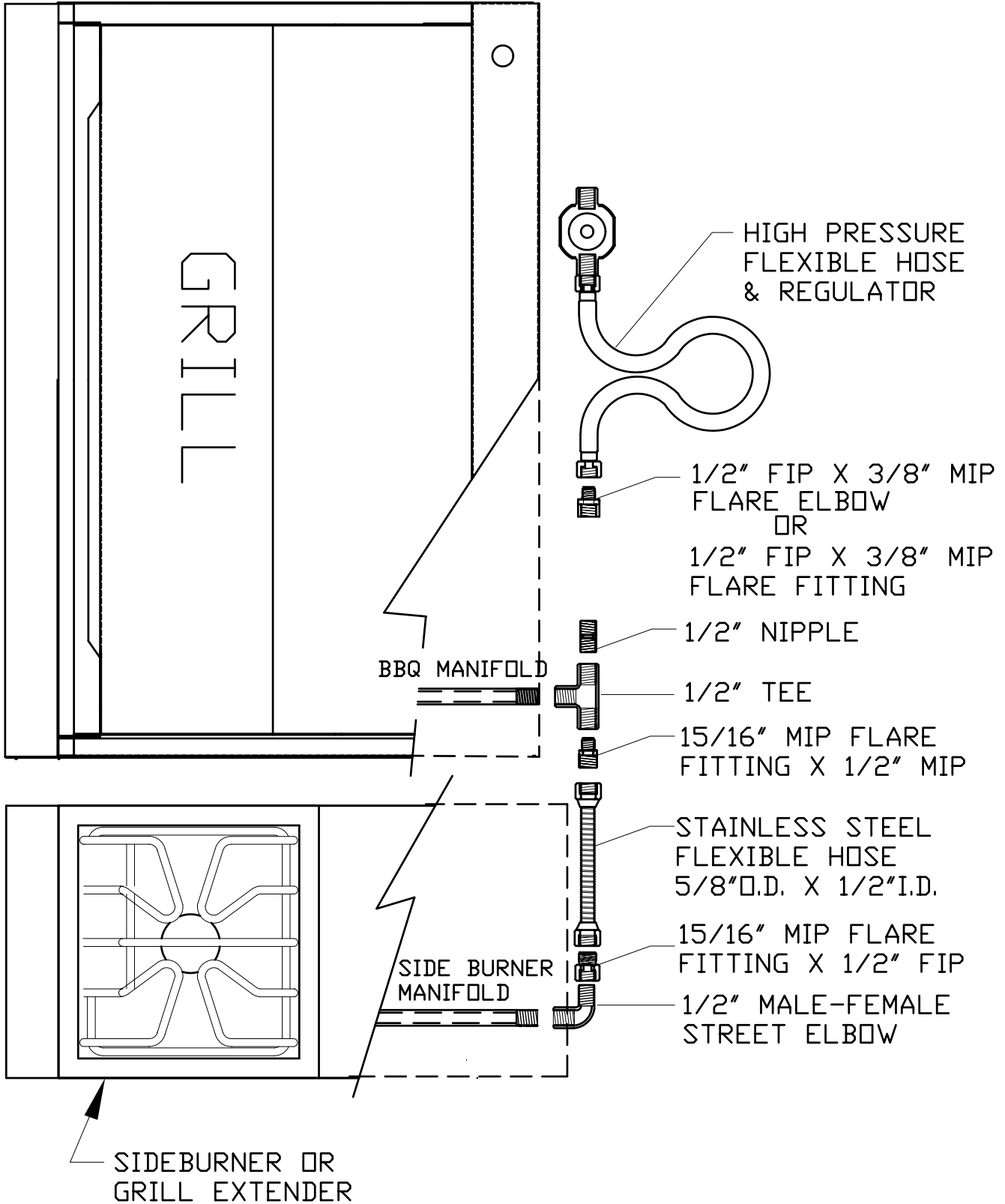
30781-REGULATOR 4"/11"

L13010-STREET ELBOW 1/2"

80239-MANIFOLD COMPLETE ASSY (LSB1-1)  
 80238-MANIFOLD COMPLETE ASSY (LSB2-1)  
 (SPECIFY NG DR LP)  
 80240-MANIFOLD COMPLETE ASSY (LSB2PC-1)  
 (SPECIFY NG DR LP)  
 80241-MANIFOLD COMPLETE ASSY, LP (LPSSGE-1)  
 80242-MANIFOLD COMPLETE ASSY, NG (LPSSGE-1)  
 30155-MANIFOLD PIPE ONLY (LSB1-1/LSB2-1)  
 31372-MANIFOLD PIPE ONLY (LPSSGE-1)  
 31289-MANIFOLD PIPE ONLY (LSB2PC-1)



# L.P. GAS HOOK-UP





# NATURAL GAS HOOK-UP

